



WC - Lissé

Reserve tissue holder - platinum matte

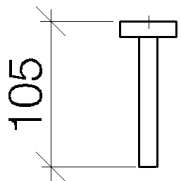
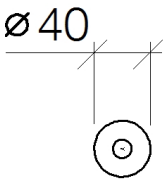
Article number: 83 590 979-06

- Flange diameter 1-5/8"
- 4-1/8" Projection



platinum matte

Dimensional drawing



All dimensions in mm / inch = mm x 0,0394



WC - Lissé

Reserve tissue holder - platinum matte

Article number: 83 590 979-06



WC - Lissé

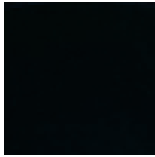
Reserve tissue holder - platinum matte

Article number: 83 590 979-06

Other surface finishes



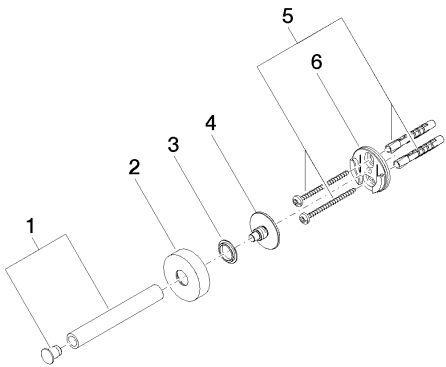
polished chrome
83 590 979-00



black matte
83 590 979-33

More custom finish options are available via special production (xTra Service). Please see our finish matrix for availability and pricing or contact a Dornbracht representative.

Spare parts list



Number	Item Number	Designation	Number of units
--------	-------------	-------------	-----------------